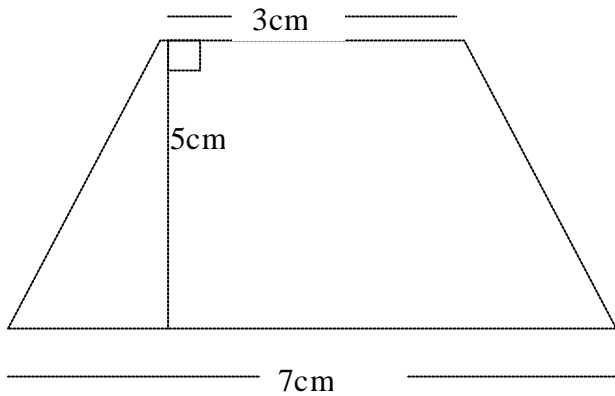


Area of Trapeziums

Level 5 concept

Area of a Trapeziums/Trapezoids how to answer questions in full



Area (Trapezium)

$$= PH \times \frac{1}{2} (\text{Side 1} + \text{Side 2})$$

$$\text{or } PH \times \frac{1}{2} (\text{Top} + \text{Bottom})$$

$$= 5\text{cm} \times \frac{1}{2} (3\text{cm} + 7\text{cm})$$

$$= 5\text{cm} \times \frac{1}{2} (10\text{cm})$$

$$= 5\text{cm} \times 5\text{cm}$$

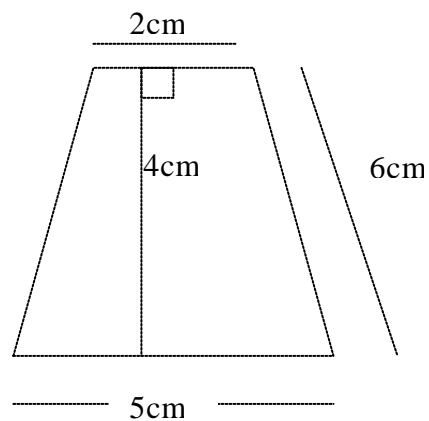
$$= 25 \text{ cm}^2$$

Note the answer is in square units



Show your full working out here

Show your full working out here



Be careful which measurements you use.